

# e 865

## Professional super-cardioid vocal microphone

### FEATURES

- Superb transient response
- Handles high levels of sound
- Rugged, robust all-metal housing
- Excellent feedback rejection
- Very good rejection of handling noise
- Very high sound pressure handling capability
- Steel inlet basket

The e 865 is a fully professional vocal microphone utilising the very best in condenser microphone technology to achieve new standards of quality and sound. An extended dynamic range and a super-smooth frequency response deliver an outstanding signal quality with excellent vocal projection and the lowest possible distortion. The extended high-frequency response combined with the super-cardioid pick-up pattern enables the e 865 to handle the highest vocal levels without feedback. The rugged metal construction protects the microphone in the most rigorous conditions. Due to its phantom powering capability, the e 865 is especially suitable for use with professional systems. The e 865 S variant features a silent ON/OFF switch.



### ARCHITECT'S SPECIFICATIONS

The microphone shall be a super-cardioid pre-polarized condenser designed for professional vocal use. It shall have a rugged all-metal housing. The frequency response shall be 40 Hz–20,000 Hz and the sensitivity (free field, no load) shall be 3 mV/Pa at 1 kHz. Nominal impedance shall be 200 Ω, with a min. terminating impedance of 1 kΩ. Maximum SPL shall be 150 dB.

The microphone shall operate on 12–52 V phantom power and shall provide a 3-pin XLR connector. Dimensions shall be 47 x 193 mm (1.85" x 7.60"). Weight without cable shall be 311 grams (10.97 oz). The microphone shall be the Sennheiser e 865, the variant with a silent ON/OFF switch shall be the Sennheiser e 865 S.

### TECHNICAL DATA

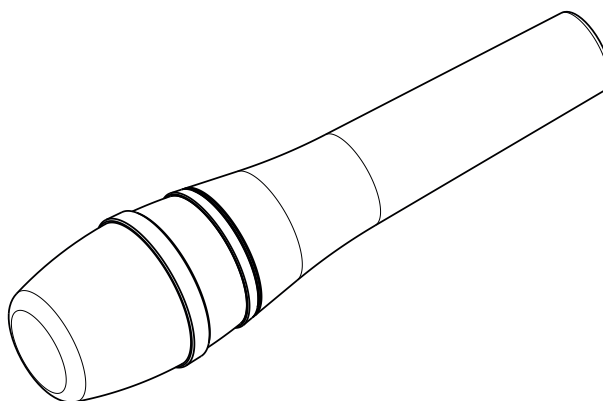
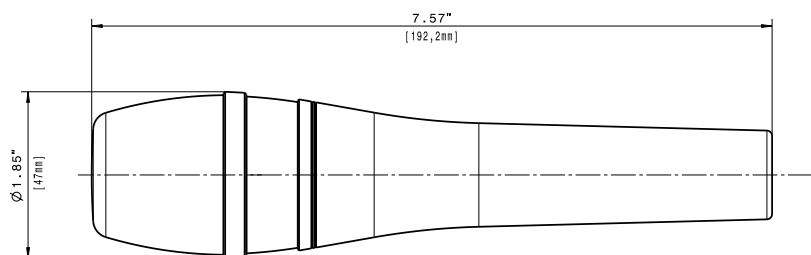
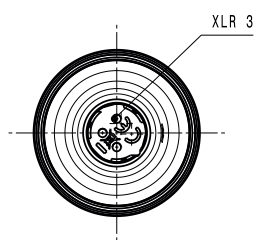
Transducer principle (Microphone).....	pre-polarized condenser microphone
Pick-up pattern.....	super-cardioid
Frequency response (microphone).....	40–20,000 Hz
Sensitivity (free field, no load at 1 kHz) .....	3 mV/Pa
Nominal impedance.....	200 Ω
Min. terminating impedance.....	1000 Ω
Max. sound pressure level (active).....	150 dB
Phantom powering.....	12–52 V / 3 mA
Connector.....	XLR-3
Dimensions.....	d 47 x 193 mm
Weight w/o cable.....	311 g

### DELIVERY INCLUDES

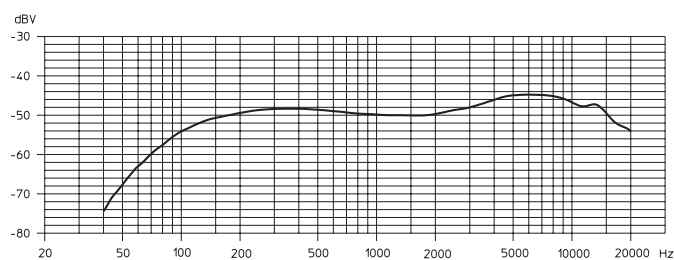
- 1 e 865
- 1 microphone clamp
- 1 pouch
- Instructions for use

## e 865 Professional super-cardioid vocal microphone

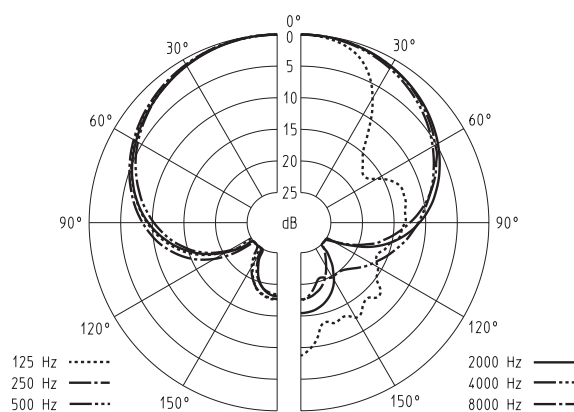
### DIMENSIONS



### FREQUENCY RESPONSE



### POLAR PATTERN



### PRODUCT VARIANTS

e845 S – Professional Condenser Vocal Microphone  
with noiseless on/off switch

Cat. No. 004847

### RECOMMENDED ACCESSORIES

MZQ 800 universal stand adapter clip for most Evolution  
handheld wired microphones

Cat. No. 004711

MZW 4032-A anthracite foam windscreen

Cat. No. 002978

MZW 4032-C blue foam windscreen

Cat. No. 002980

Sennheiser electronic GmbH & Co. KG  
Am Labor 1, 30900 Wedemark, Germany  
www.sennheiser.com

 **SENNHEISER**